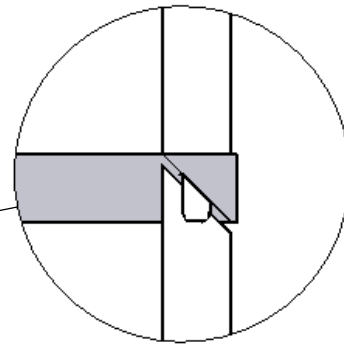
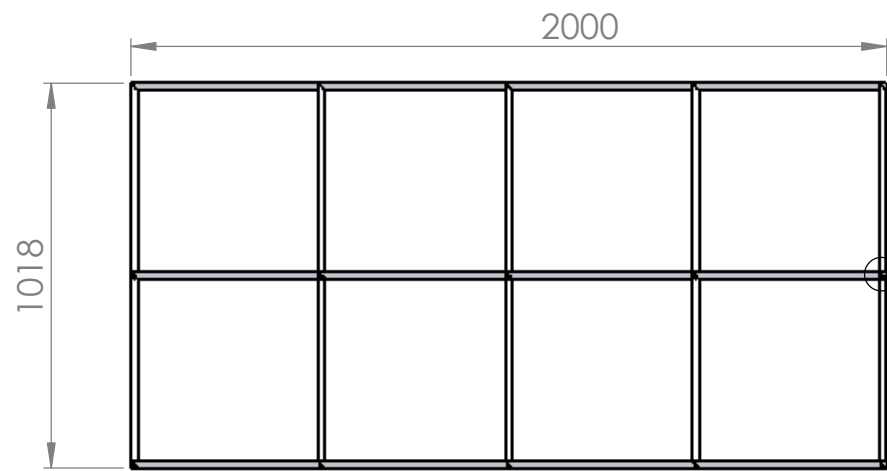
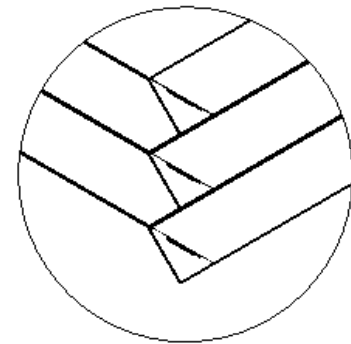
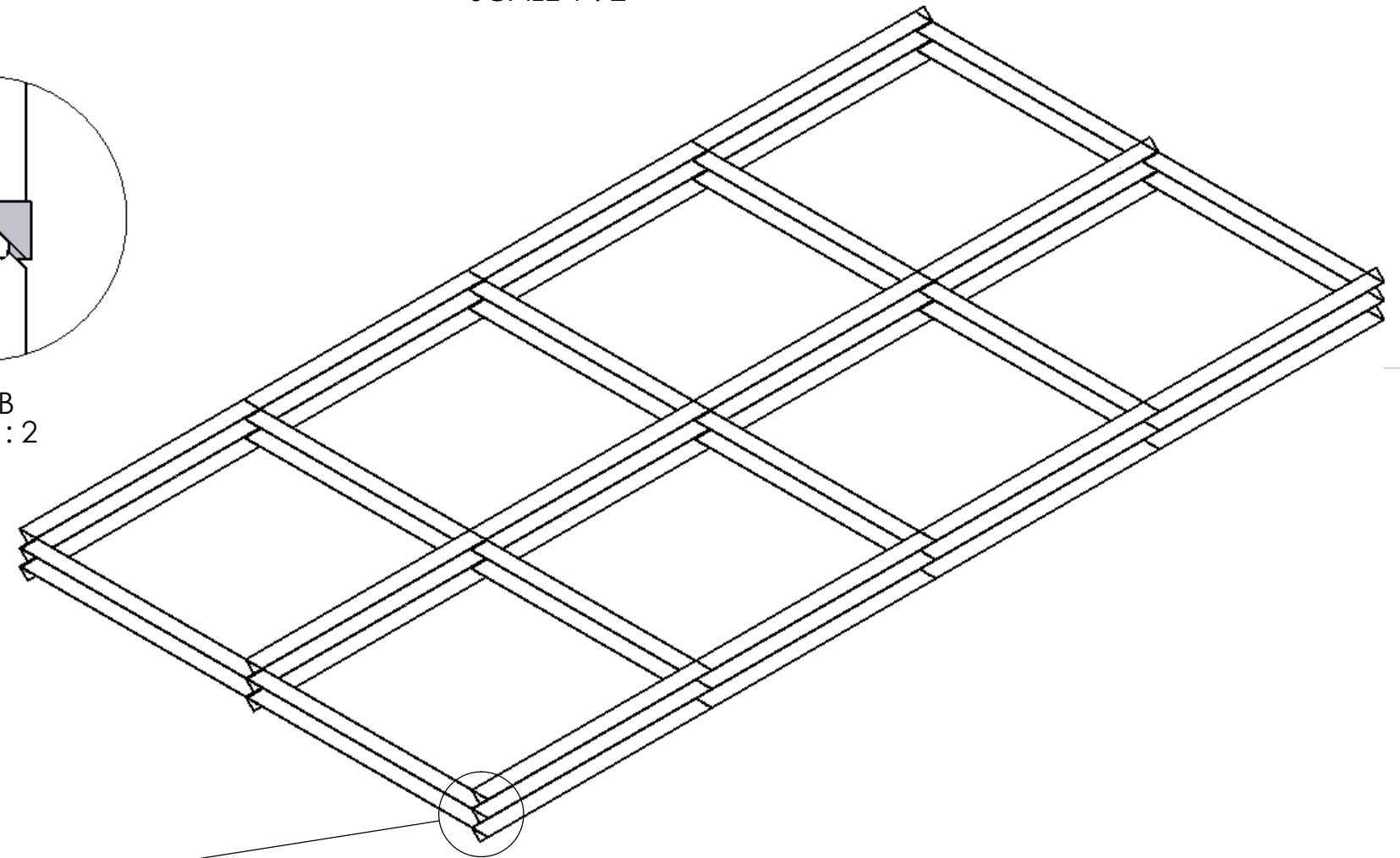


DETAIL A  
SCALE 1 : 2



DETAIL B  
SCALE 1 : 2



DETAIL C  
SCALE 1 : 3

UNLESS OTHERWISE SPECIFIED: DIMENSIONS ARE IN MILLIMETERS			FINISH:		DEBUR AND BREAK SHARP EDGES		DO NOT SCALE DRAWING		REVISION			
SURFACE FINISH:							<b>LCE Engenharia</b>					
TOLERANCES:												
LINEAR:							TITLE: CoolRoof					
ANGULAR:							Reflectors					
DRAWN			NAME		SIGNATURE		DATE		DWG NO. roof_reflector_002			A3
CHK'D												
APPV'D												
MFG												
Q.A							MATERIAL:					
							WEIGHT:		SCALE:1:20			SHEET 1 OF 1