



ANELEX CORPORATION

150 CAUSEWAY STREET • BOSTON, MASSACHUSETTS • 02114
TELEPHONE 617-742-4585 • TWX: 617-451-3953 • CABLE: ANELEX, BOSTON

August 12, 1966

Mr. J. H. Saltzer
Project MAC
545 Technology Square
Cambridge, Massachusetts

SUBJECT: Courier Font Print Copy

Dear Mr. Saltzer:

At the request of General Electric Company, I am forwarding you a full set of printout utilizing the Courier font performed on one of our Series 5000 Printers recently. This print copy is sent to you for your interest and evaluation.

Should you have any questions or comments regarding this font, please direct them to Mr. Jay Robertson of the General Electric Computer Equipment Department.

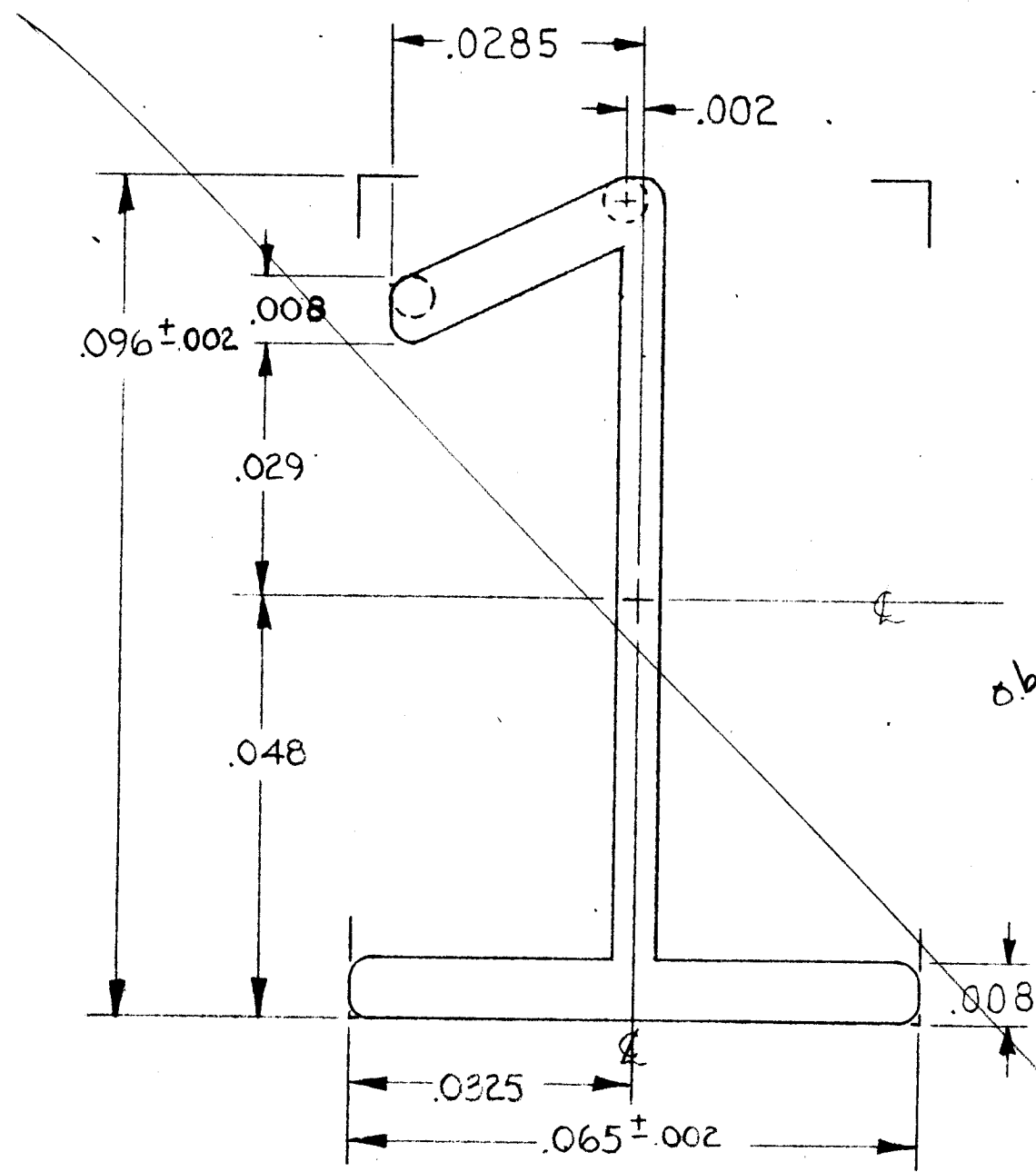
Yours truly,

ANELEX CORPORATION

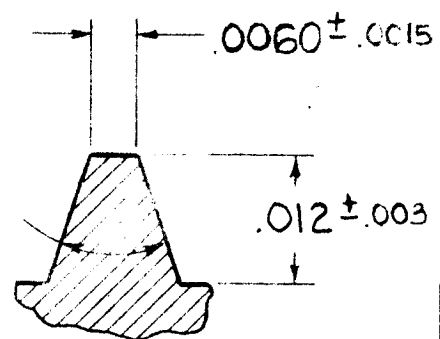
R. R. Hartley
Account Manager

RRH:bjh
Encl.

CAT. NO.	131-44
SYMBOL	DESCRIPTION
1	ONE



obsolete



~~FORMERLY ON DRAWING~~

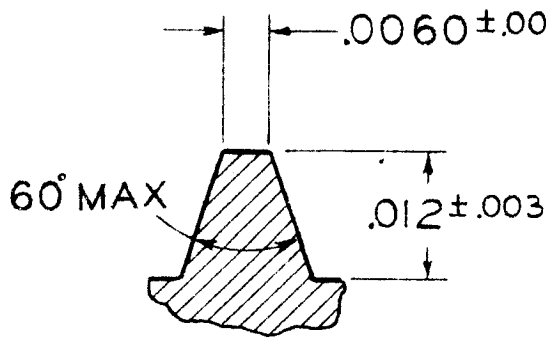
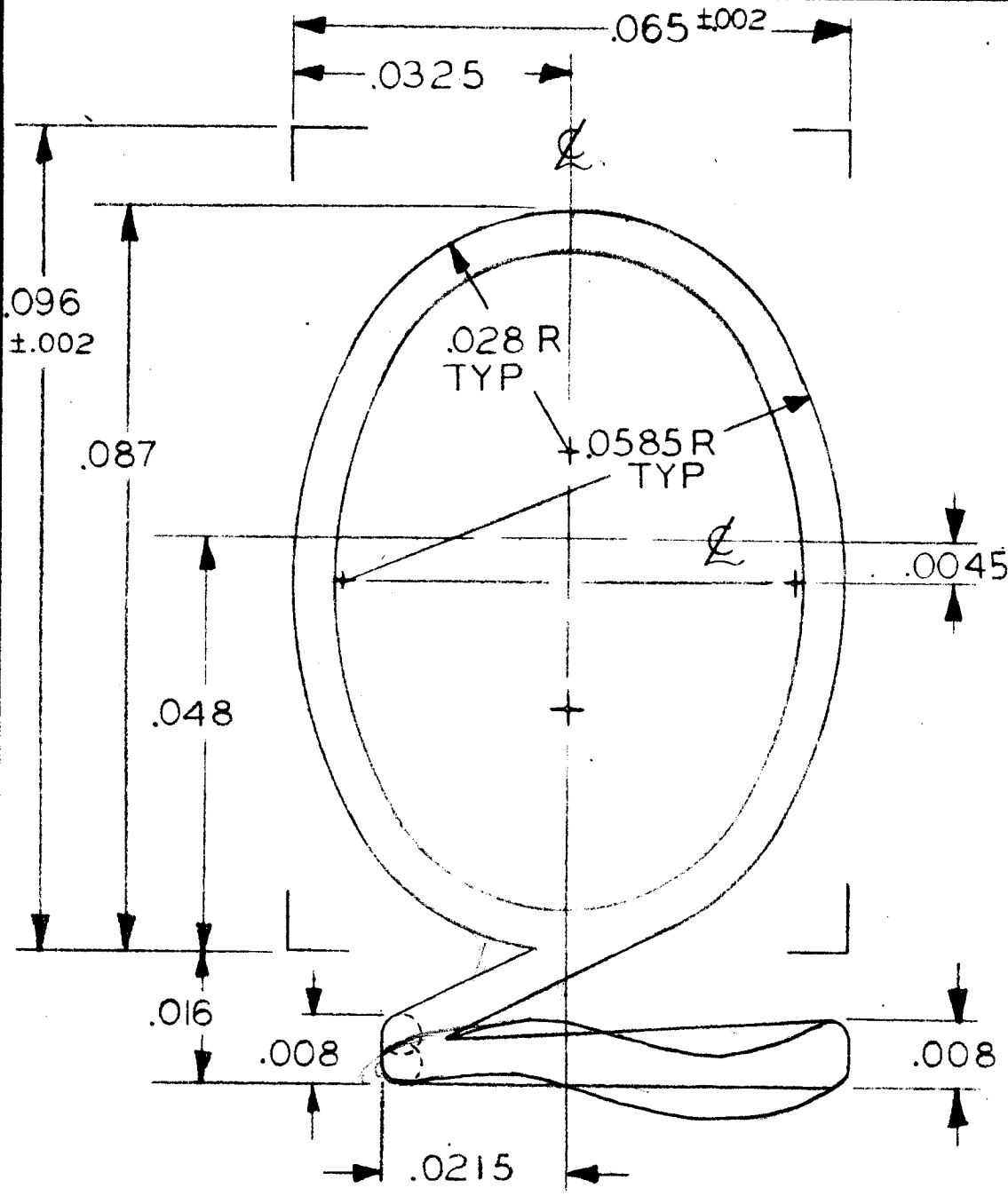
TYPICAL LAND CROSS SECTION UNLESS OTHERWISE SPECIFIED

ANELEX CORPORATION		
ENGRAVED CHARACTER SPECIFICATIONS		
SCALE 50 1	DRAWN BY <i>CA Murray</i>	DATE 4-7-66
	APPROVED BY <i>st jrc</i>	DATE 4/13/66
SYMBOL 1	DESCRIPTION ONE	CAT. NO. 131-44

TOLERANCES UNLESS OTHERWISE SPECIFIED
DECIMAL DIMENSIONS ± .001 IN.
ANGULAR DIMENSIONS ± 1 DEG.

TP841

CAT. NO.	116-17
SYMBOL	Q
DESCRIPTION	LETTER



~~FORMERLY ON DRAWING~~

TYPICAL LAND CROSS SECTION
UNLESS OTHERWISE SPECIFIED

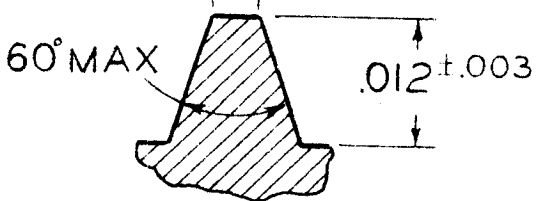
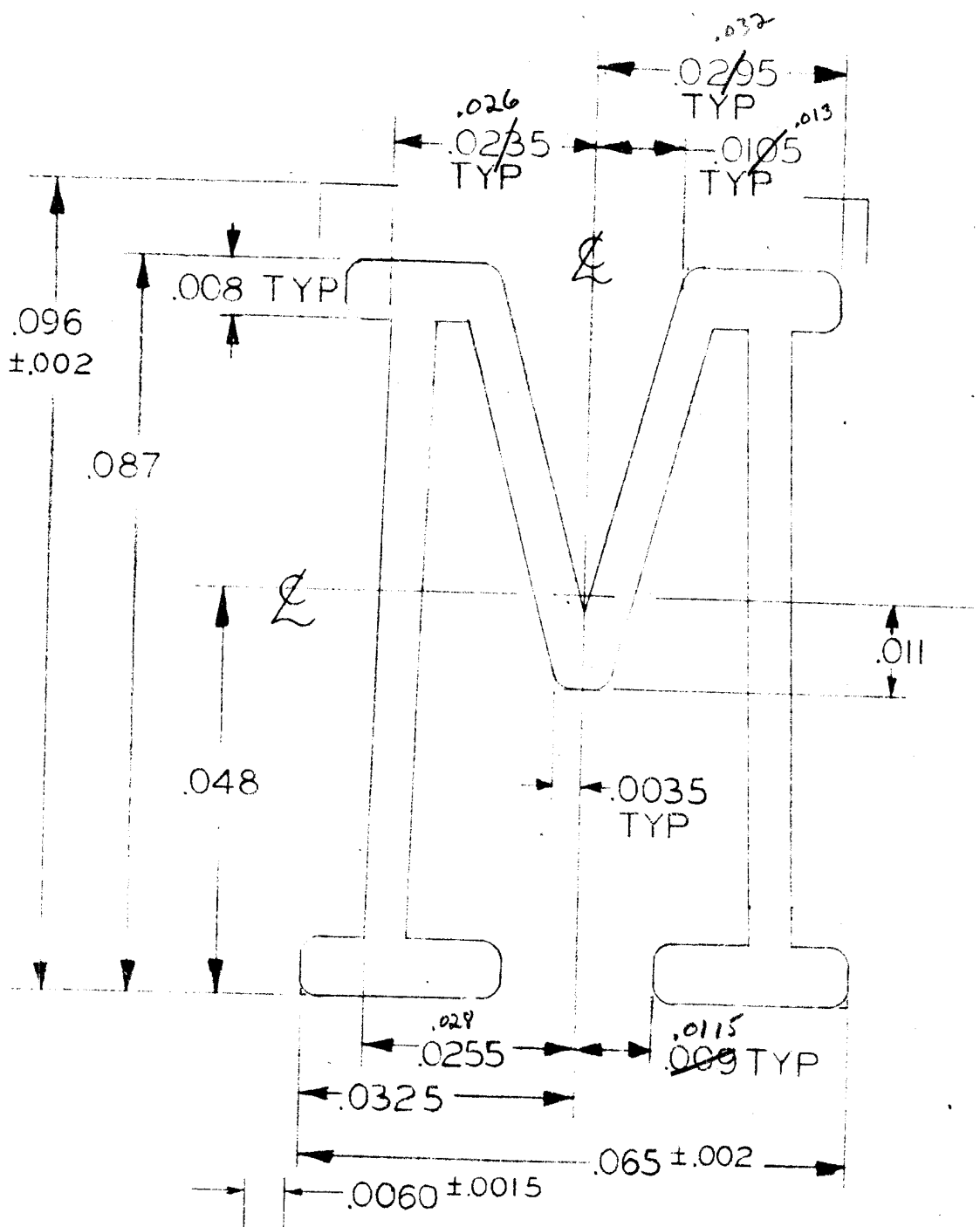
ANelex CORPORATION		
ENGRAVED CHARACTER SPECIFICATIONS		
SCALE	DRAWN BY	DATE
50 1	J. Fitts	4/13/66
	APPROVED BY	DATE
	ES	
SYMBOL	DESCRIPTION	CAT. NO.
Q	LETTER	116-17

TOLERANCES
UNLESS OTHERWISE SPECIFIED
DECIMAL DIMENSIONS $\pm .001$ IN.
ANGULAR DIMENSIONS ± 1 DEG.

TP147

EC

CAT. NO.	112-16
SYMBOL	M.
DESCRIPTION	LETTER



~~FORMERLY ON DRAWING~~

TYPICAL LAND CROSS SECTION
UNLESS OTHERWISE SPECIFIED

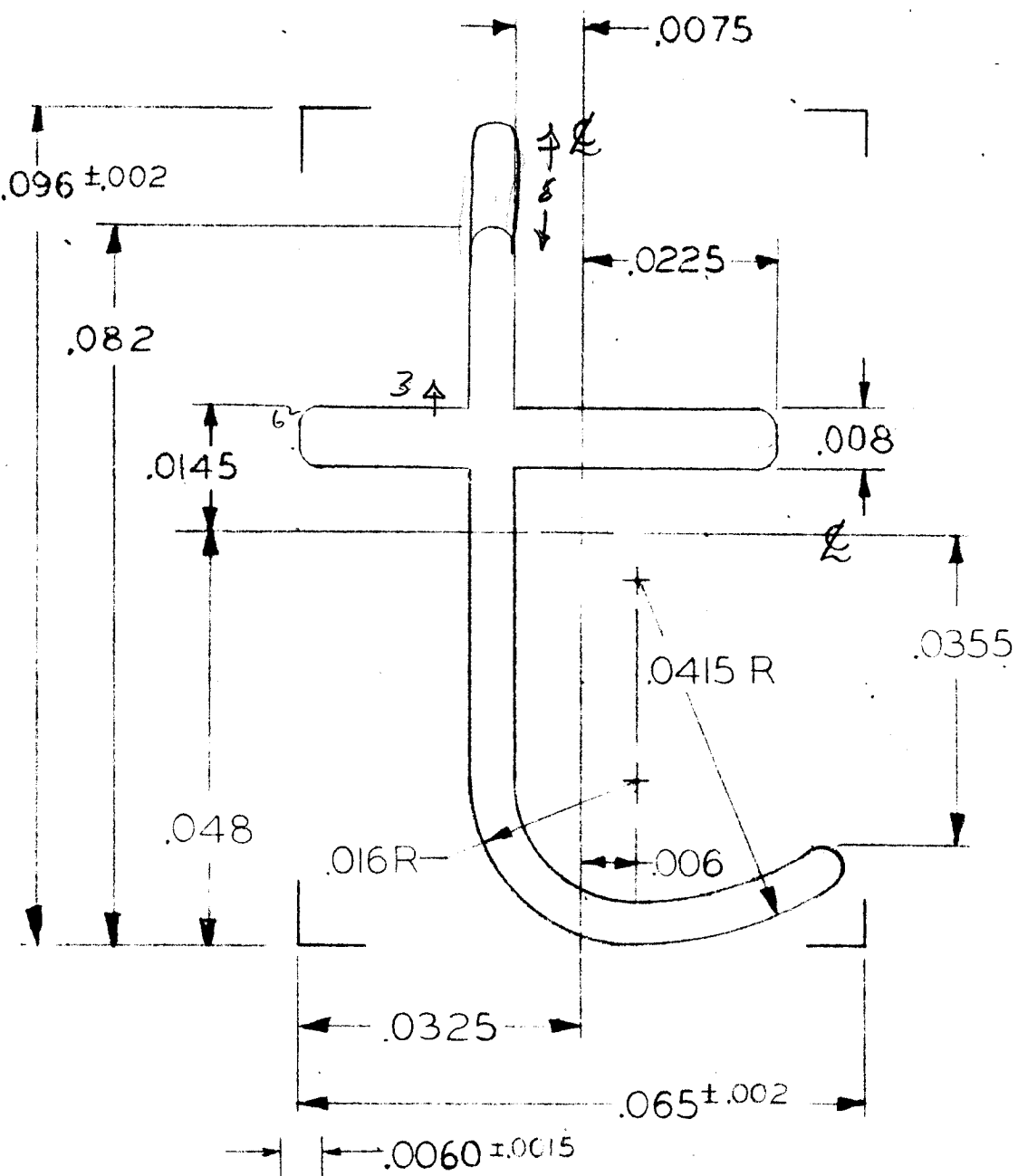
ANelex CORPORATION		
ENGRAVED CHARACTER SPECIFICATIONS		
SCALE 50 1	DRAWN BY <i>J. Little</i>	DATE 4/4/66
	APPROVED BY <i>es jrc</i>	DATE 4/13/66
SYMBOL M	DESCRIPTION LETTER	CAT. NO. 112-16

TOLERANCES
UNLESS OTHERWISE SPECIFIED
DECIMAL DIMENSIONS ±.001 IN.
ANGULAR DIMENSIONS ± 1 DEG.

TPI47

EC

CAT. NO.	219-2
SYMBOL	t
DESCRIPTION	LOWER CASE LETTER



TYPICAL LAND CROSS SECTION
UNLESS OTHERWISE SPECIFIED

~~FORMERLY ON DRAWING~~

ANalex CORPORATION		
ENGRAVED CHARACTER SPECIFICATIONS		
SCALE	DRAWN BY	DATE
50 1	J. F. Pitts	3/28/66
	APPROVED BY	DATE
	EE JMC	4/13/66
SYMBOL	DESCRIPTION	CAT. NO.
t	LOWER CASE LETTER	219-2

TOLERANCES
UNLESS OTHERWISE SPECIFIED
DECIMAL DIMENSIONS ± .001 IN.
ANGULAR DIMENSIONS ± 1 DEG.

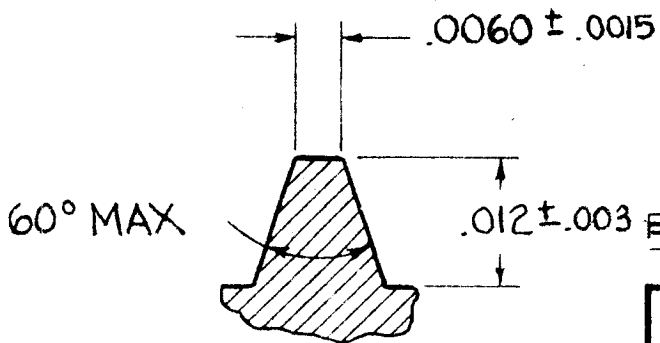
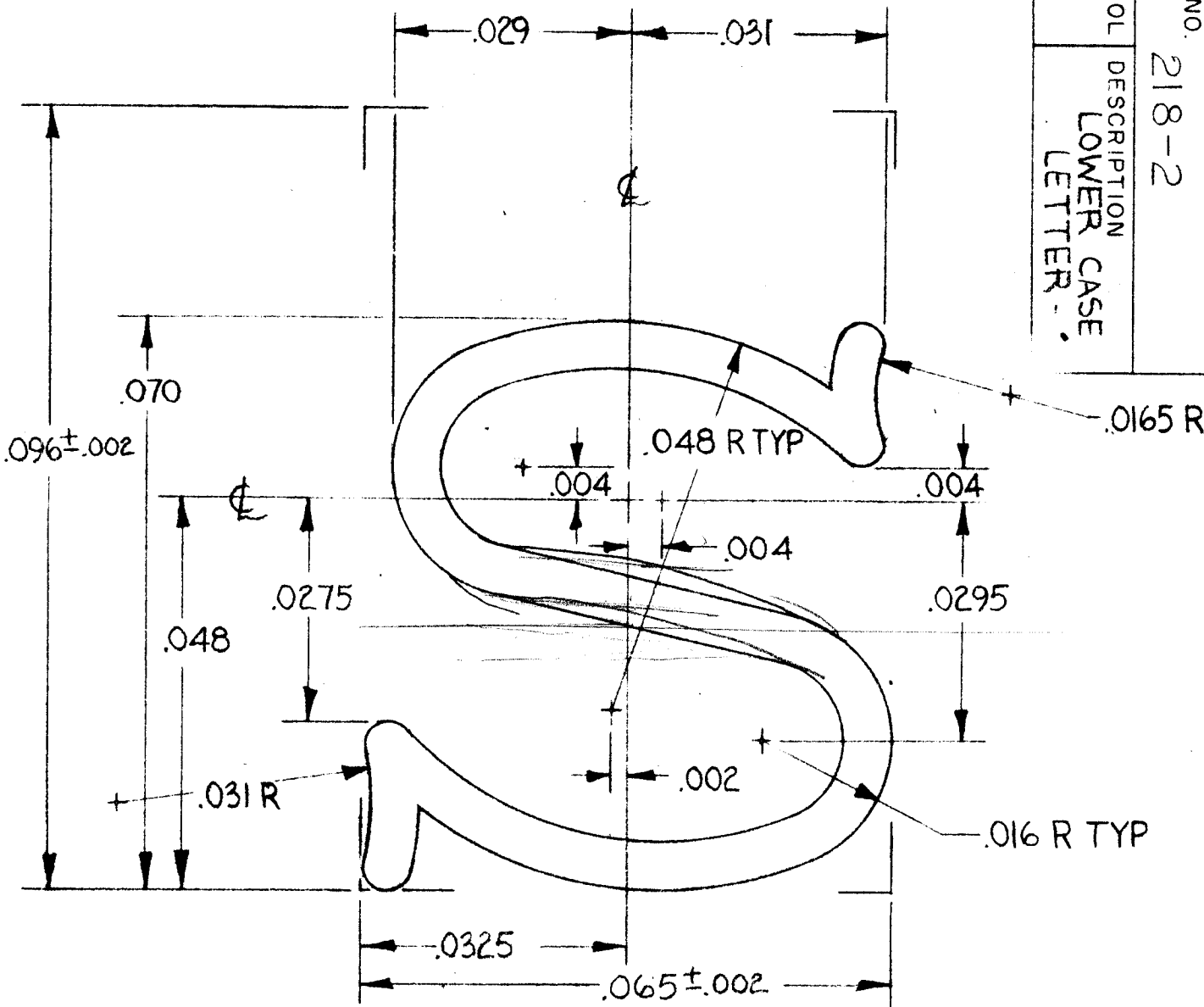
TP147

EC

CAT. NO.

218-2

SYMBOL DESCRIPTION
S LOWER CASE LETTER



TYPICAL LAND CROSS SECTION
 UNLESS OTHERWISE SPECIFIED

~~FORMERLY ON DRAWING~~

ANELEX CORPORATION

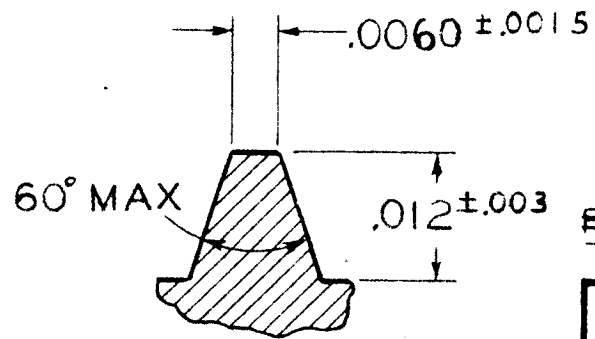
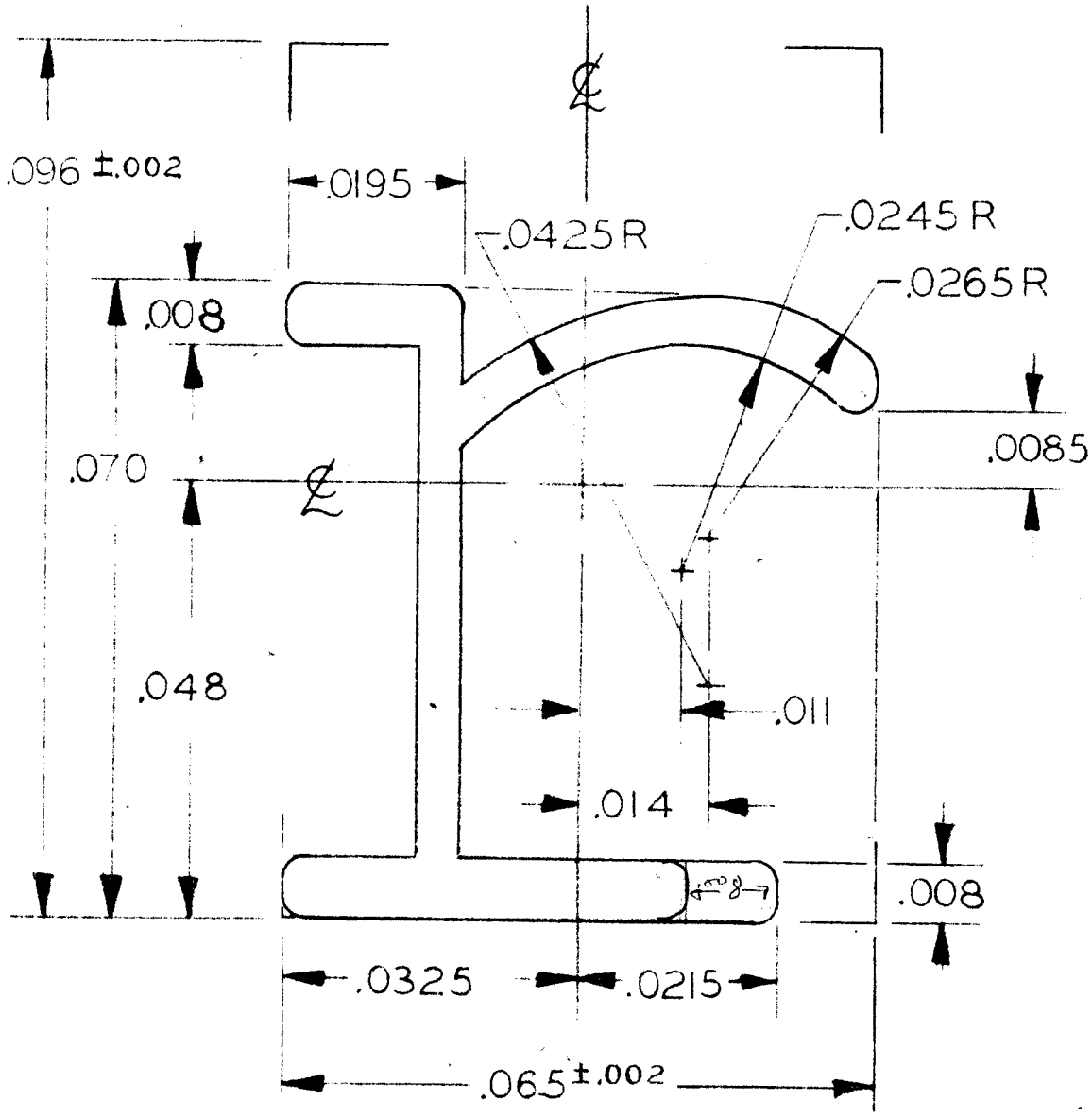
ENGRAVED CHARACTER SPECIFICATIONS

SCALE 50 1	DRAWN BY C. Amundson	DATE 4-12-66
	APPROVED BY <i>[Signature]</i>	DATE 4/13/66
SYMBOL S	DESCRIPTION LOWER CASE LETTER	CAT. NO. 218-2

TOLERANCES
 UNLESS OTHERWISE SPECIFIED
 DECIMAL DIMENSIONS ± .001 IN.
 ANGULAR DIMENSIONS ± 1 DEG.

TR187

CAT. NO.	217-2
SYMBOL	LOWER CASE LETTER
DESCRIPTION	LOWER CASE LETTER



~~FORMERLY ON DRAWING~~

TYPICAL LAND CROSS SECTION
UNLESS OTHERWISE SPECIFIED

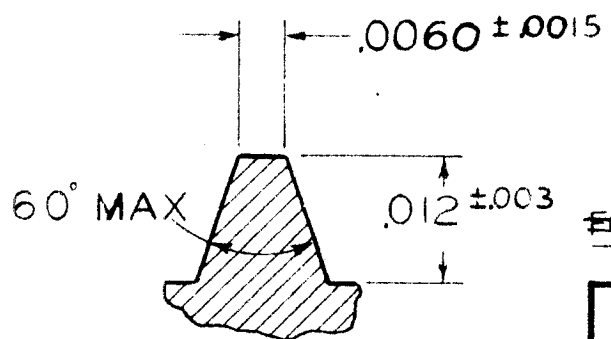
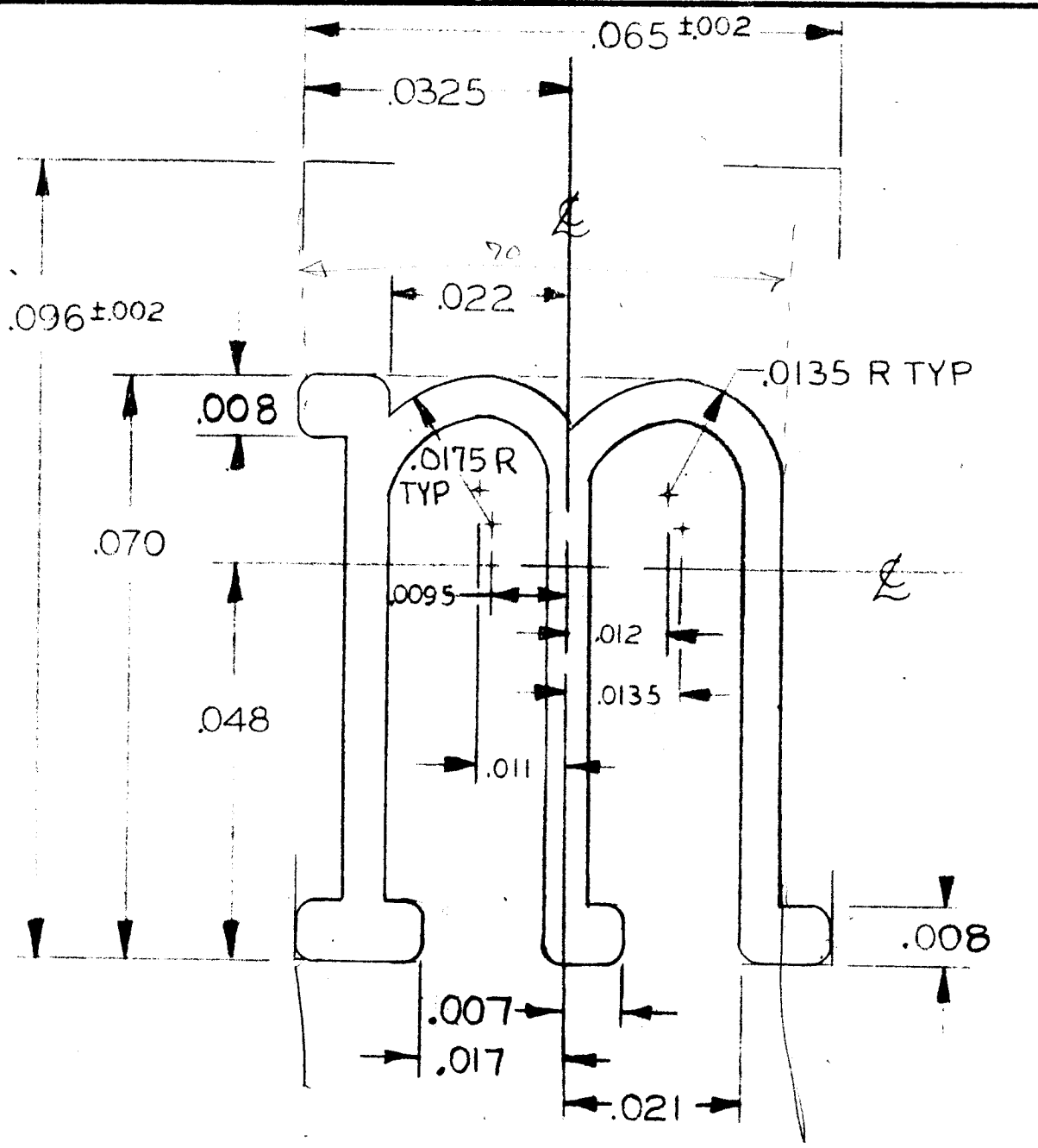
TOLERANCES
UNLESS OTHERWISE SPECIFIED
DECIMAL DIMENSIONS ± .001 IN.
ANGULAR DIMENSIONS ± 1 DEG.

ANelex CORPORATION		
ENGRAVED CHARACTER SPECIFICATIONS		
SCALE 50 1	DRAWN BY <i>J. Fitts</i>	DATE 3/23/66
	APPROVED BY <i>gc</i>	DATE 4/13/66
SYMBOL r	DESCRIPTION LOWER CASE LETTER	CAT. NO. 217-2

EC

TP147

CAT. NO.	212-2
SYMBOL	M
DESCRIPTION	LOWER CASE LETTER



TYPICAL LAND CROSS SECTION
UNLESS OTHERWISE SPECIFIED

~~FORMERLY ON DRAWING~~

ANELEX CORPORATION		
ENGRAVED CHARACTER SPECIFICATIONS		
SCALE	DRAWN BY	DATE
50 1	J. Fitts	3/23/66
	APPROVED BY	DATE
	8. J. [Signature]	4/13/66
SYMBOL	DESCRIPTION	CAT. NO.
M	LOWER CASE LETTER	212-2

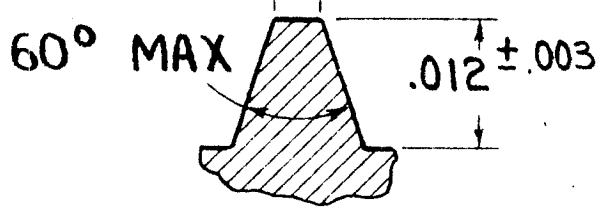
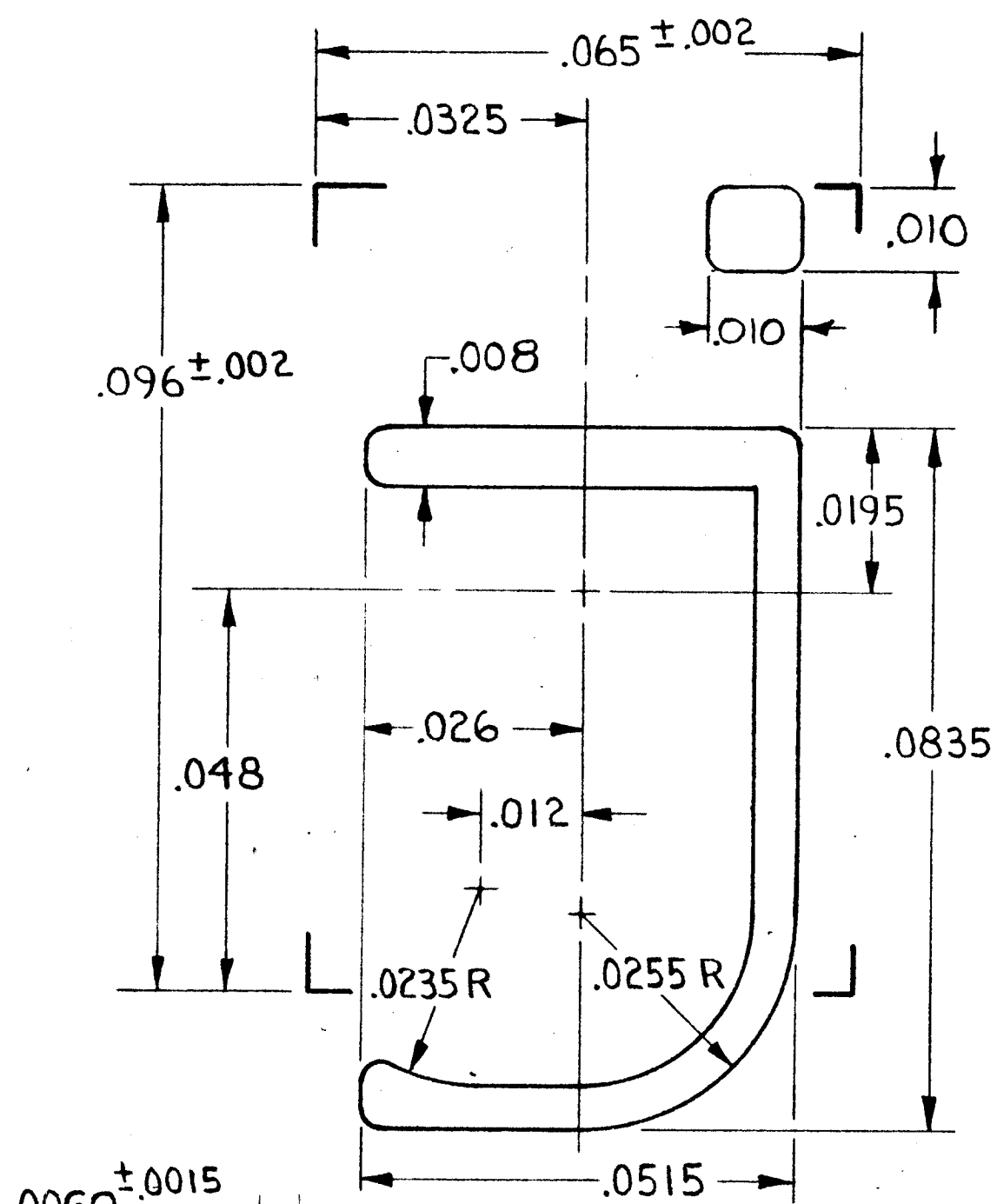
EC

TP147

TOLERANCES
UNLESS OTHERWISE SPECIFIED
DECIMAL DIMENSIONS ±.001 IN.
ANGULAR DIMENSIONS ± 1 DEG.

CAT. NO. 209-2

SYMBOL j	DESCRIPTION LOWER CASE LETTER
--------------------	-------------------------------------



TYPICAL LAND CROSS SECTION
UNLESS OTHERWISE SPECIFIED

~~FORMERLY ON DRAWING~~

TP147

TOLERANCES
UNLESS OTHERWISE SPECIFIED
DECIMAL DIMENSIONS ± .001 IN.
ANGULAR DIMENSIONS ± 1 DEG.

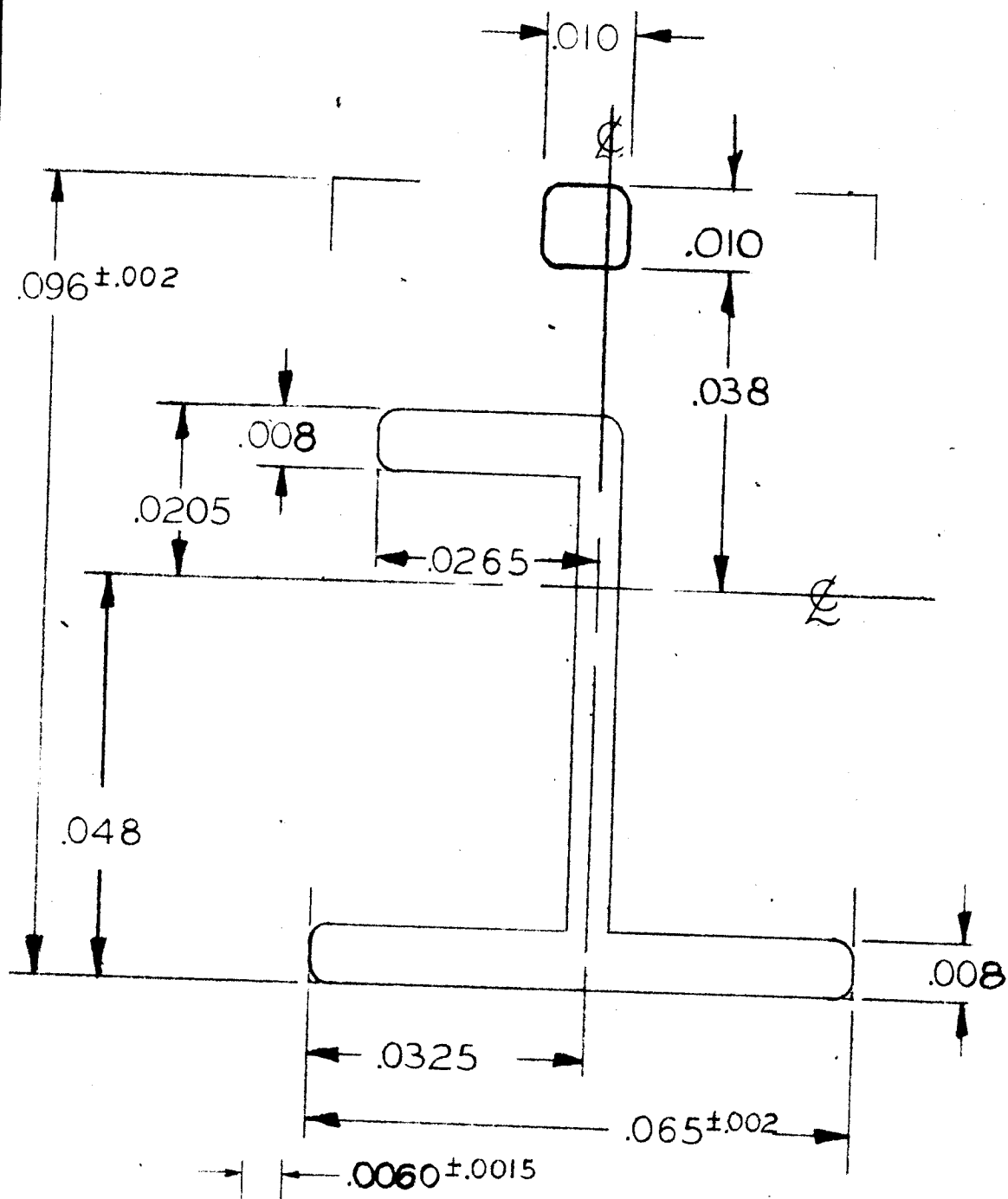
ANalex CORPORATION		
ENGRAVED CHARACTER SPECIFICATIONS		
SCALE 50 1	DRAWN BY <i>E. Wojcik</i>	DATE 4-5-66
	APPROVED BY <i>EC</i>	DATE 4/13/66
SYMBOL j	DESCRIPTION LOWERCASE LETTER	CAT. NO. 209-2

EC

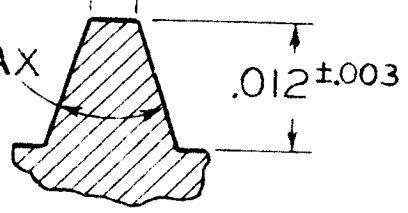
CAT. NO.

208-2

SYMBOL	DESCRIPTION
i	LOWER CASE LETTER



60° MAX



TYPICAL LAND CROSS SECTION UNLESS OTHERWISE SPECIFIED

~~FORMERLY ON DRAWING~~

ANelex CORPORATION

ENGRAVED CHARACTER SPECIFICATIONS

SCALE	DRAWN BY	DATE
50 1	J. Fitter	3/23/66
SYMBOL	APPROVED BY	DATE
i	66 JFC	4/13/66
	DESCRIPTION	CAT. NO.
	LOWER CASE LETTER	208-2

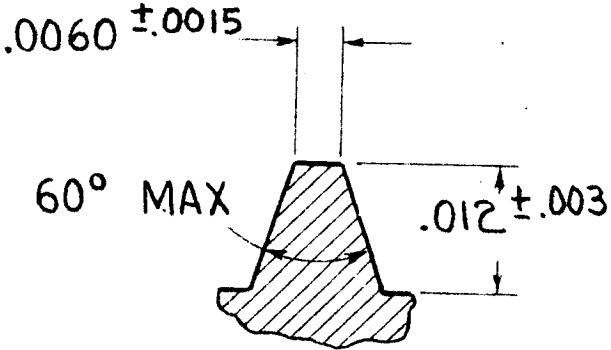
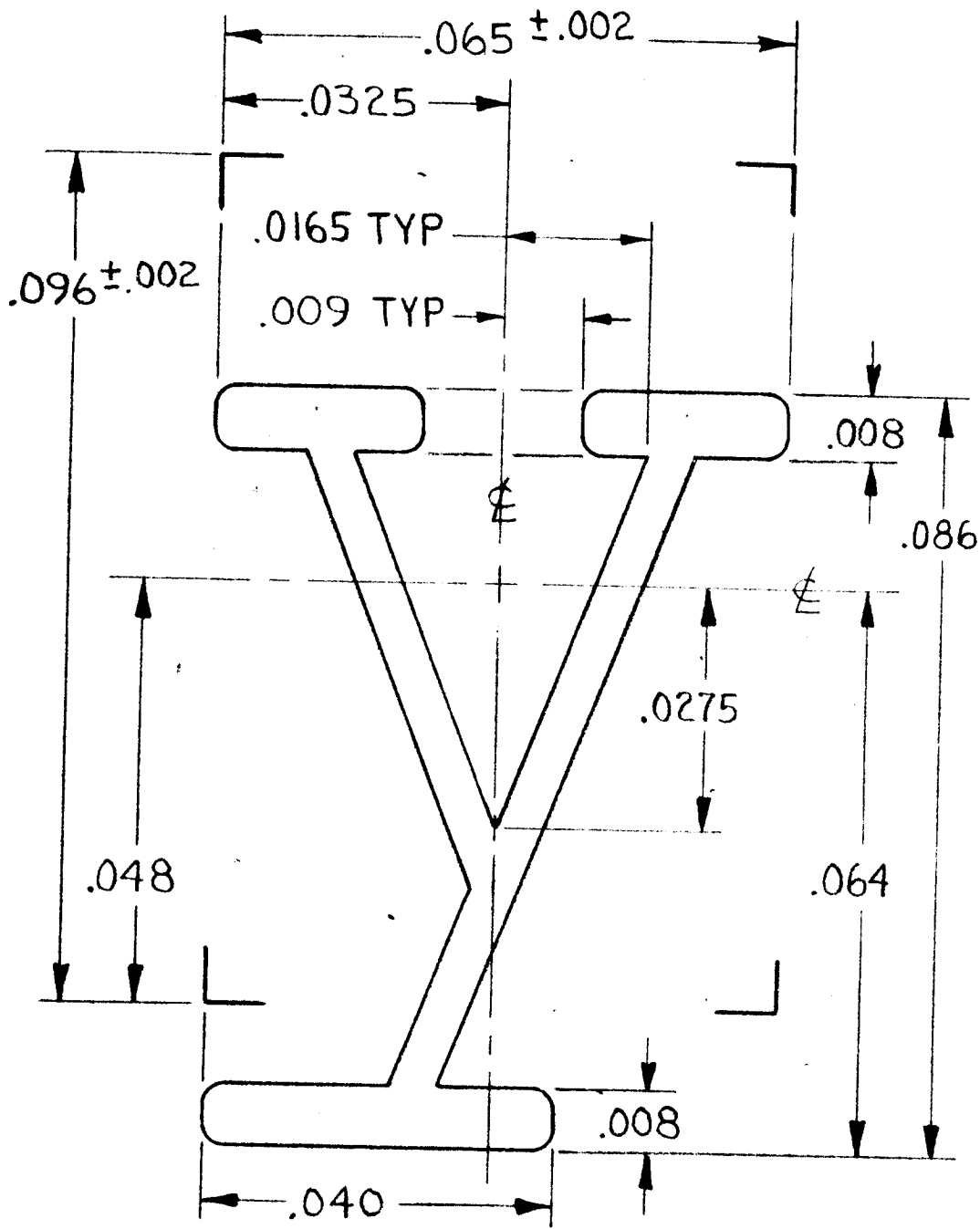
EC

TOLERANCES UNLESS OTHERWISE SPECIFIED
DECIMAL DIMENSIONS ±.001 IN.
ANGULAR DIMENSIONS ± 1 DEG.

TP147

CAT. NO. 224-2

SYMBOL Y
 DESCRIPTION LOWER CASE LETTER



~~FORMERLY ON DRAWING~~

TYPICAL LAND CROSS SECTION UNLESS OTHERWISE SPECIFIED

ANElex CORPORATION		
ENGRAVED CHARACTER SPECIFICATIONS		
SCALE 50 1	DRAWN BY C. Lofler	DATE 4-5-66
	APPROVED BY ES JPC	DATE 4/13/66
SYMBOL Y	DESCRIPTION LOWER CASE LETTER	CAT. NO. 224-2

TOLERANCES UNLESS OTHERWISE SPECIFIED
 DECIMAL DIMENSIONS ± .001 IN.
 ANGULAR DIMENSIONS ± 1 DEG.

TP147

EC

CAT. NO.

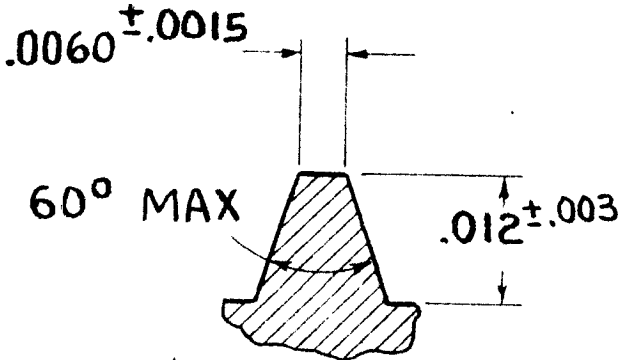
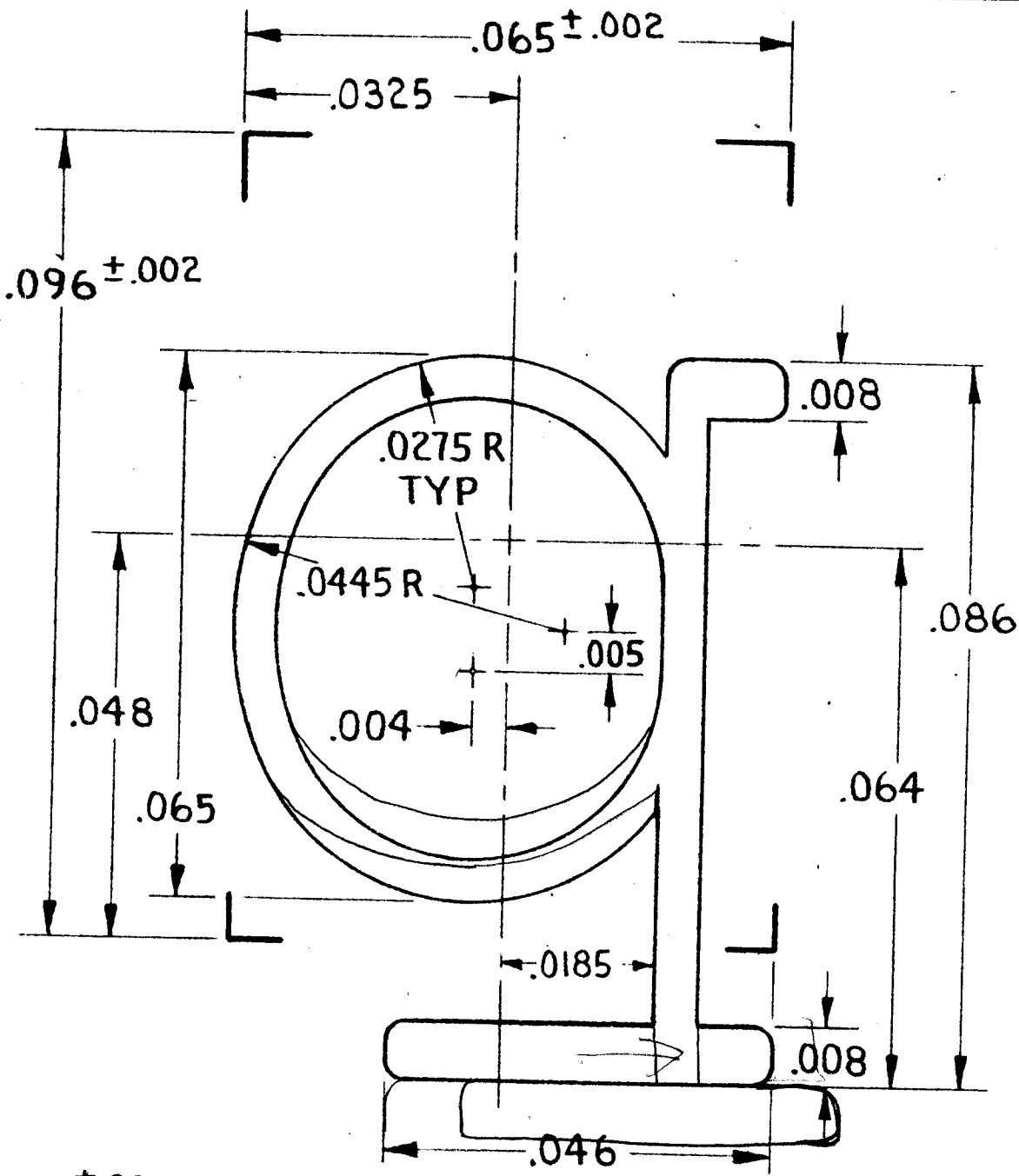
216-2

SYMBOL

q

DESCRIPTION

LOWER CASE LETTER



~~FORMERLY ON DRAWING~~

EC

ANelex CORPORATION

ENGRAVED CHARACTER SPECIFICATIONS

SCALE 50 1	DRAWN BY E. Lofko	DATE 4-5-66
SYMBOL q	APPROVED BY [Signature]	DATE 4/13-66
	DESCRIPTION LOWER CASE LETTER	CAT. NO. 216-2

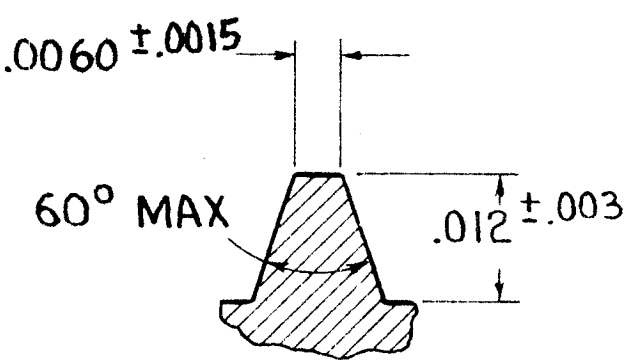
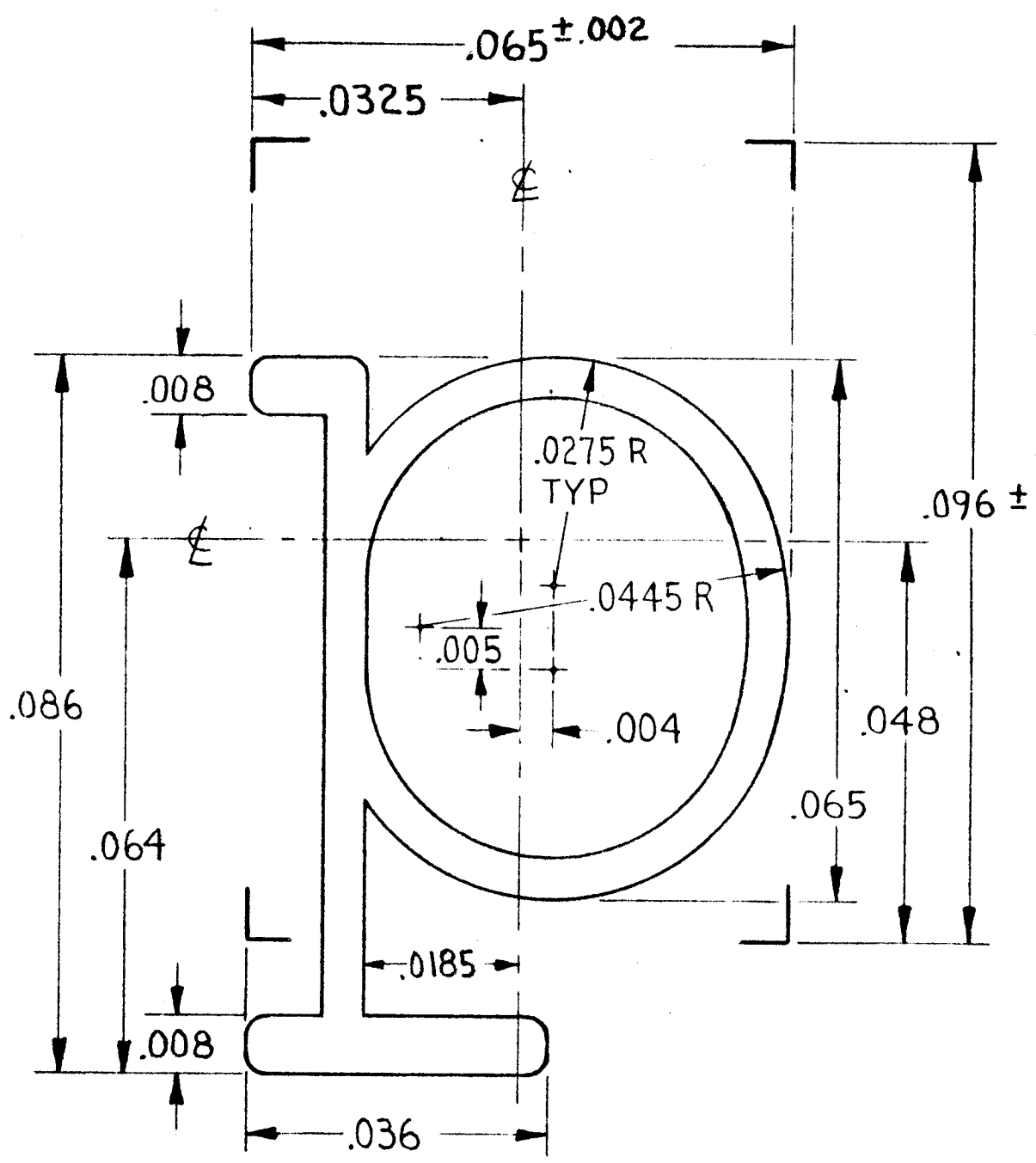
TYPICAL LAND CROSS SECTION UNLESS OTHERWISE SPECIFIED

TOLERANCES UNLESS OTHERWISE SPECIFIED
DECIMAL DIMENSIONS ± .001 IN.
ANGULAR DIMENSIONS ± 1 DEG.

TPI47

CAT. NO. 215-2

SYMBOL DESCRIPTION
P LOWER CASE LETTER



TYPICAL LAND CROSS SECTION UNLESS OTHERWISE SPECIFIED

~~FORMERLY ON DRAWING~~

ANelex CORPORATION

ENGRAVED CHARACTER SPECIFICATIONS

SCALE 50 1	DRAWN BY G. Lopez	DATE 4-5-66
SYMBOL P	APPROVED BY <i>JAC</i>	DATE 4/13/66
DESCRIPTION LOWER CASE LETTER	CAT. NO. 215-2	

TOLERANCES UNLESS OTHERWISE SPECIFIED
 DECIMAL DIMENSIONS ± .001 IN.
 ANGULAR DIMENSIONS ± 1 DEG.

TPI47

CAT. NO.

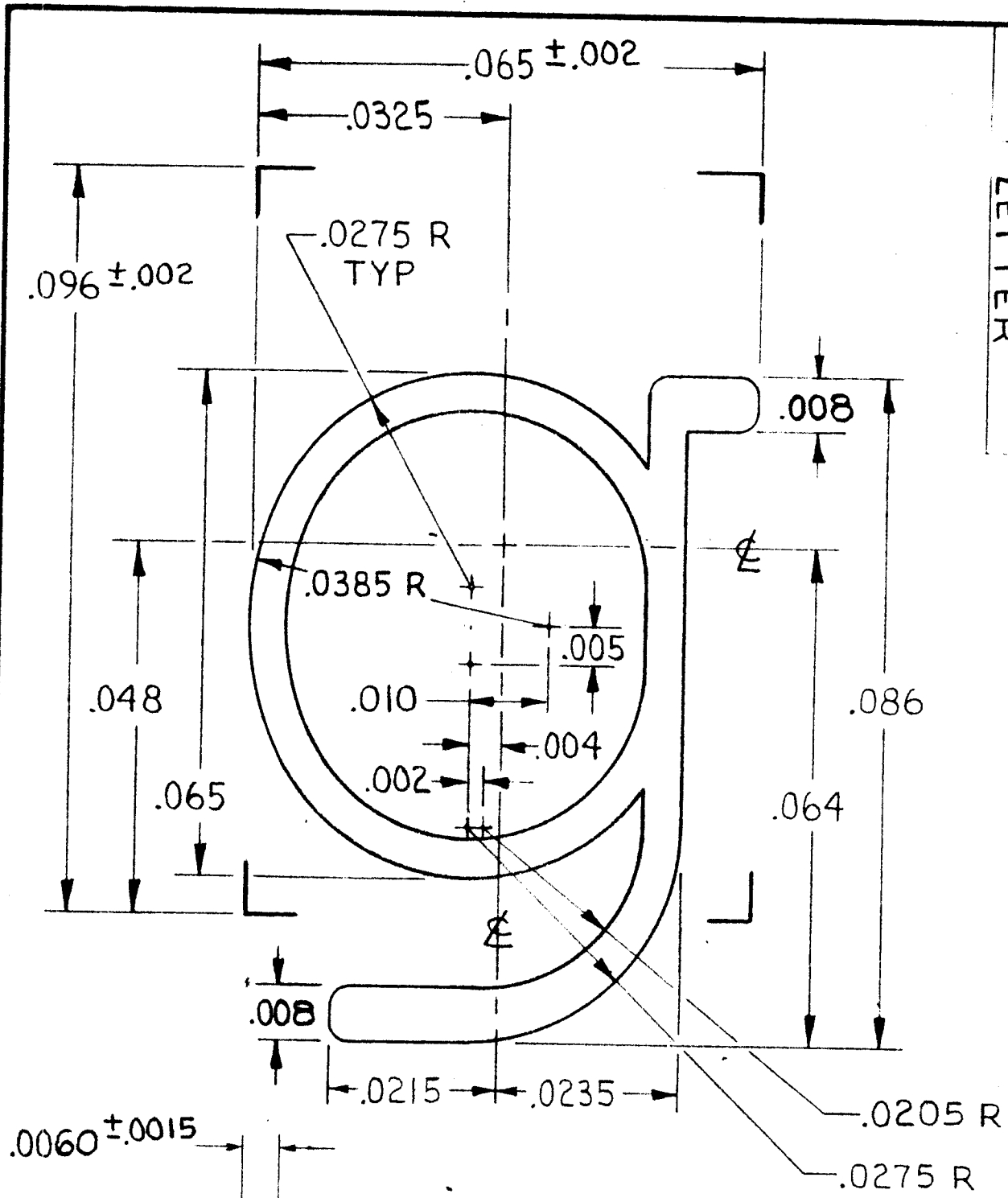
206-2

SYMBOL

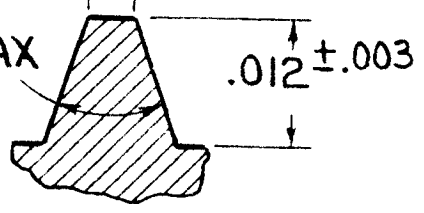
g

DESCRIPTION

LOWER CASE
LETTER



60° MAX



TYPICAL LAND CROSS SECTION
UNLESS OTHERWISE SPECIFIED

~~FORMERLY ON DRAWING~~

ANalex CORPORATION

ENGRAVED CHARACTER SPECIFICATIONS

SCALE	DRAWN BY	DATE
50 1	E. Lofler	4-4-66
SYMBOL	APPROVED BY	DATE
g	E. Lofler	4/13/66
	DESCRIPTION	CAT. NO.
	LOWER CASE LETTER	206-2

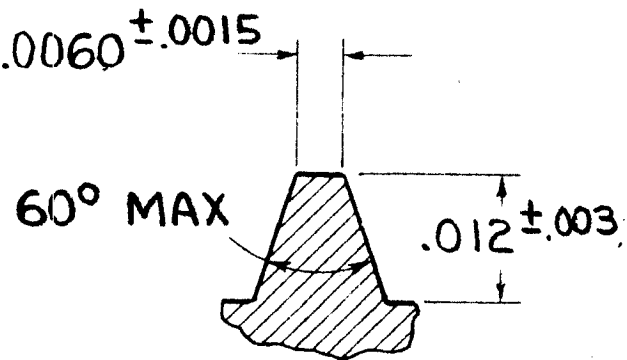
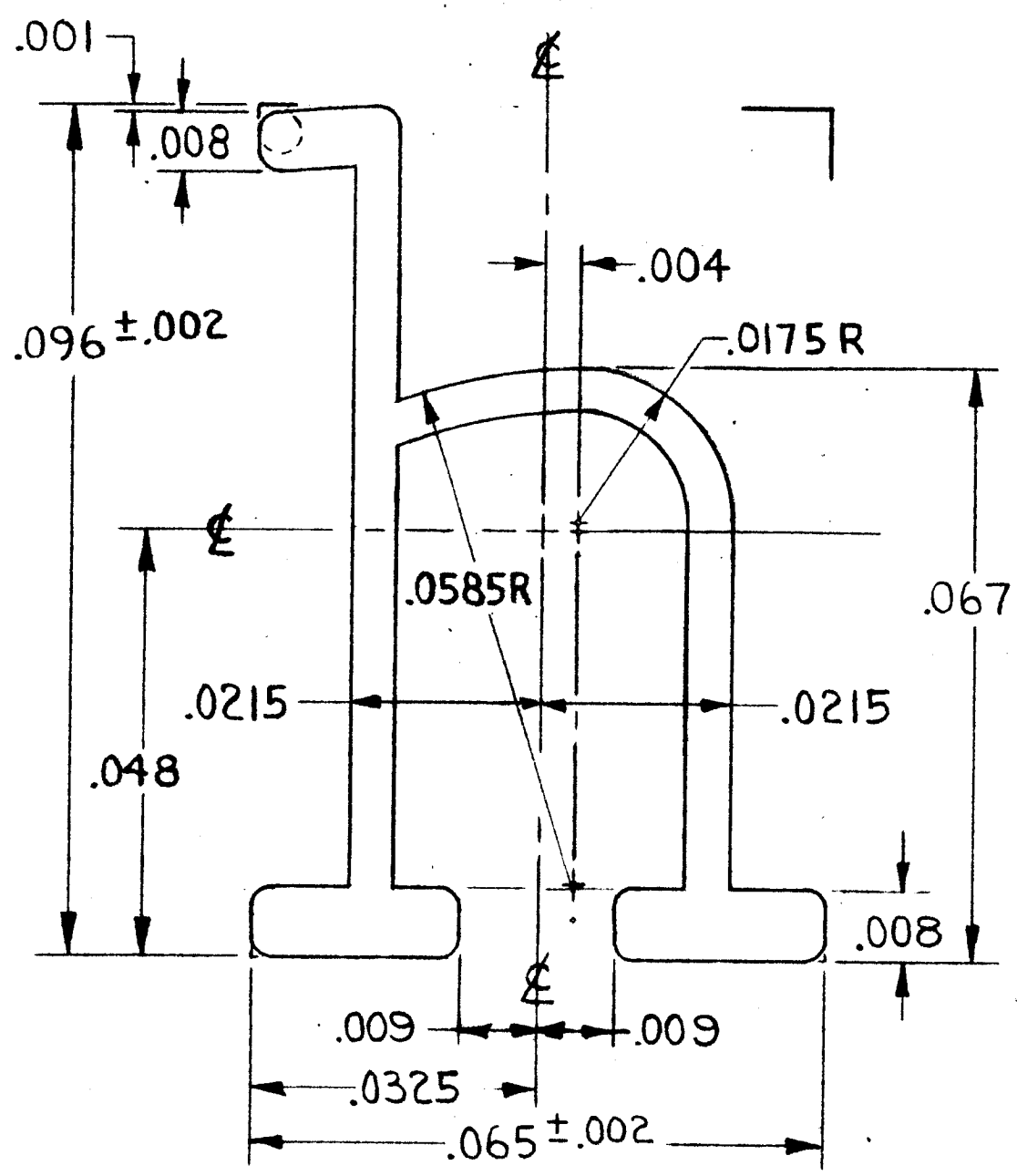
EC

TRIAL

TOLERANCES
UNLESS OTHERWISE SPECIFIED
DECIMAL DIMENSIONS ± .001 IN.
ANGULAR DIMENSIONS ± 1 DEG.

CAT. NO. 207-2

SYMBOL **h**
 DESCRIPTION
 LOWER CASE
 LETTER



~~FORMERLY ON DRAWING~~

TYPICAL LAND CROSS SECTION
 UNLESS OTHERWISE SPECIFIED

TRIG

TOLERANCES
 UNLESS OTHERWISE SPECIFIED
 DECIMAL DIMENSIONS ± .001 IN.
 ANGULAR DIMENSIONS ± 1 DEG.

ANELEX CORPORATION		
ENGRAVED CHARACTER SPECIFICATIONS		
SCALE 50 1	DRAWN BY G. Lojko	DATE 3-17-66
	APPROVED BY ES [Signature]	DATE 4/13/66
SYMBOL h	DESCRIPTION LOWER CASE LETTER	CAT. NO. 207-2

EC