



ANELEX CORPORATION

150 CAUSEWAY STREET • BOSTON, MASSACHUSETTS • 02114
TELEPHONE 617-742-4588 • TWX: 617-451-3983 • CABLE: ANELEX, BOSTON

January 20, 1967

Mr. J. H. Saltzer
Room 516
545 Technology Square
Cambridge, Massachusetts 02139

Dear Mr. Saltzer:

Latest revision copies of Courier Font characters, plus (163-24), accent acute (148-14), accent grave (148-15), and semi-colon (173-13) have been enclosed for your review.

It is requested that your comments be made directly to General Electric in Phoenix as in the past.

Sincerely yours,

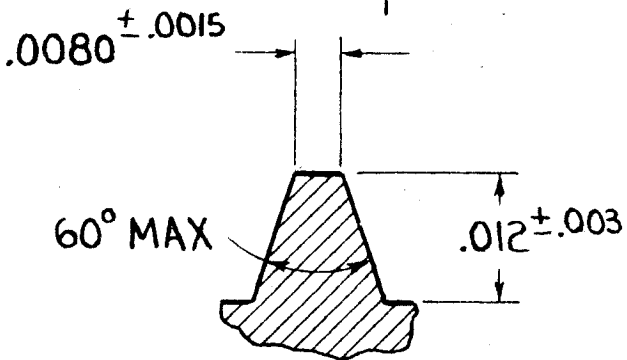
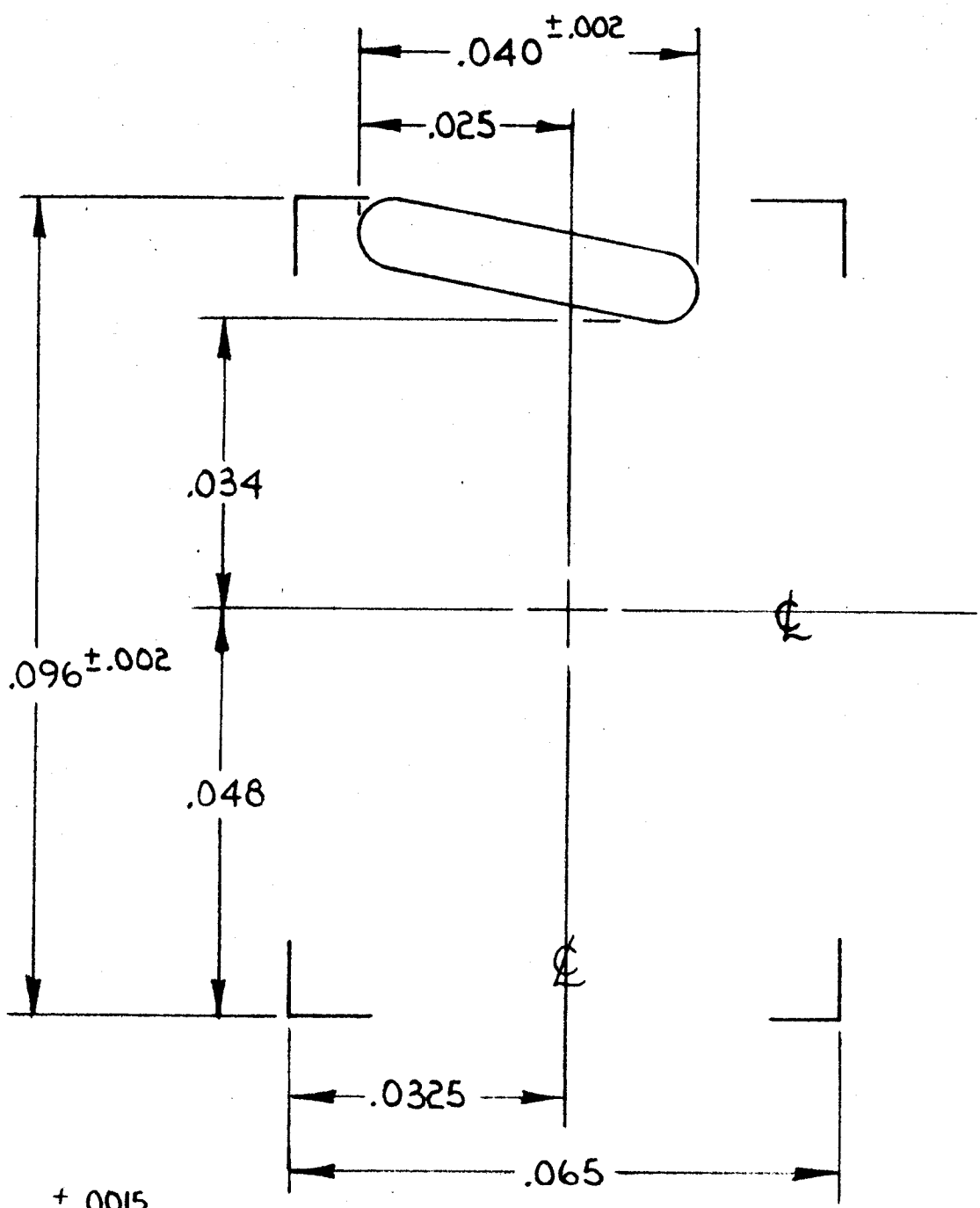
ANELEX CORPORATION

K. E. Dexter
Account Representative

KED:bjh
Encl.

cc: Mr. R. J. Quinn
GE - Phoenix

CAT. NO.	148-15
SYMBOL	ACCENT GRAVE
DESCRIPTION	ACCENT GRAVE



TYPICAL LAND CROSS SECTION
UNLESS OTHERWISE SPECIFIED

~~FORMERLY ON DRAWING~~

Anelex CORPORATION

ENGRAVED CHARACTER SPECIFICATIONS

SCALE	DRAWN BY <i>C.A. Murray</i>	DATE <i>12/15/66</i>
$\frac{50}{1}$	APPROVED BY <i>cm</i>	DATE
SYMBOL	DESCRIPTION	CAT. NO.
'	ACCENT GRAVE	148-15

TOLERANCES
UNLESS OTHERWISE SPECIFIED
DECIMAL DIMENSIONS $\pm .001$ IN.
ANGULAR DIMENSIONS ± 1 DEG.

CAT. NO.

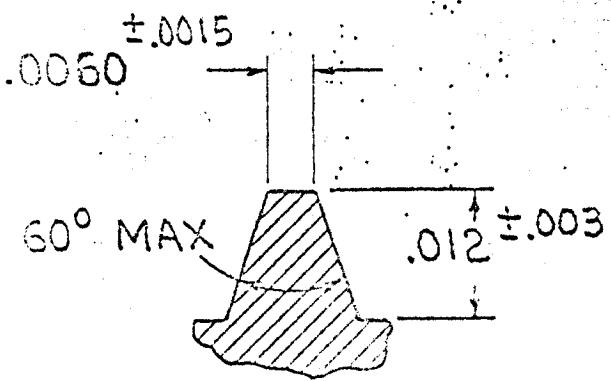
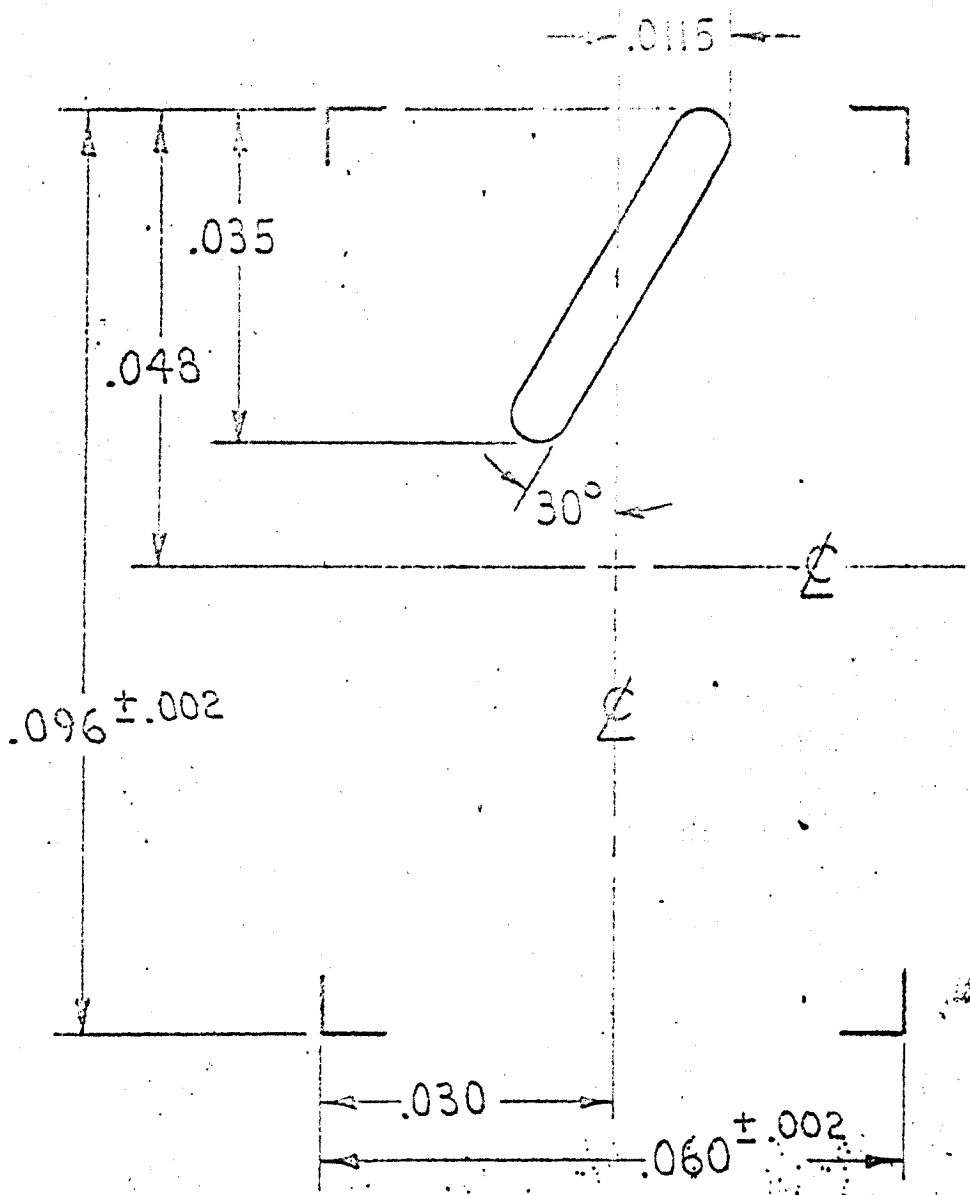
148-14

SYMBOL

DESCRIPTION

ACCENT ACUTE

G-RAND



TYPICAL LAND CROSS SECTION UNLESS OTHERWISE SPECIFIED

~~FORMERLY ON DRAWING~~

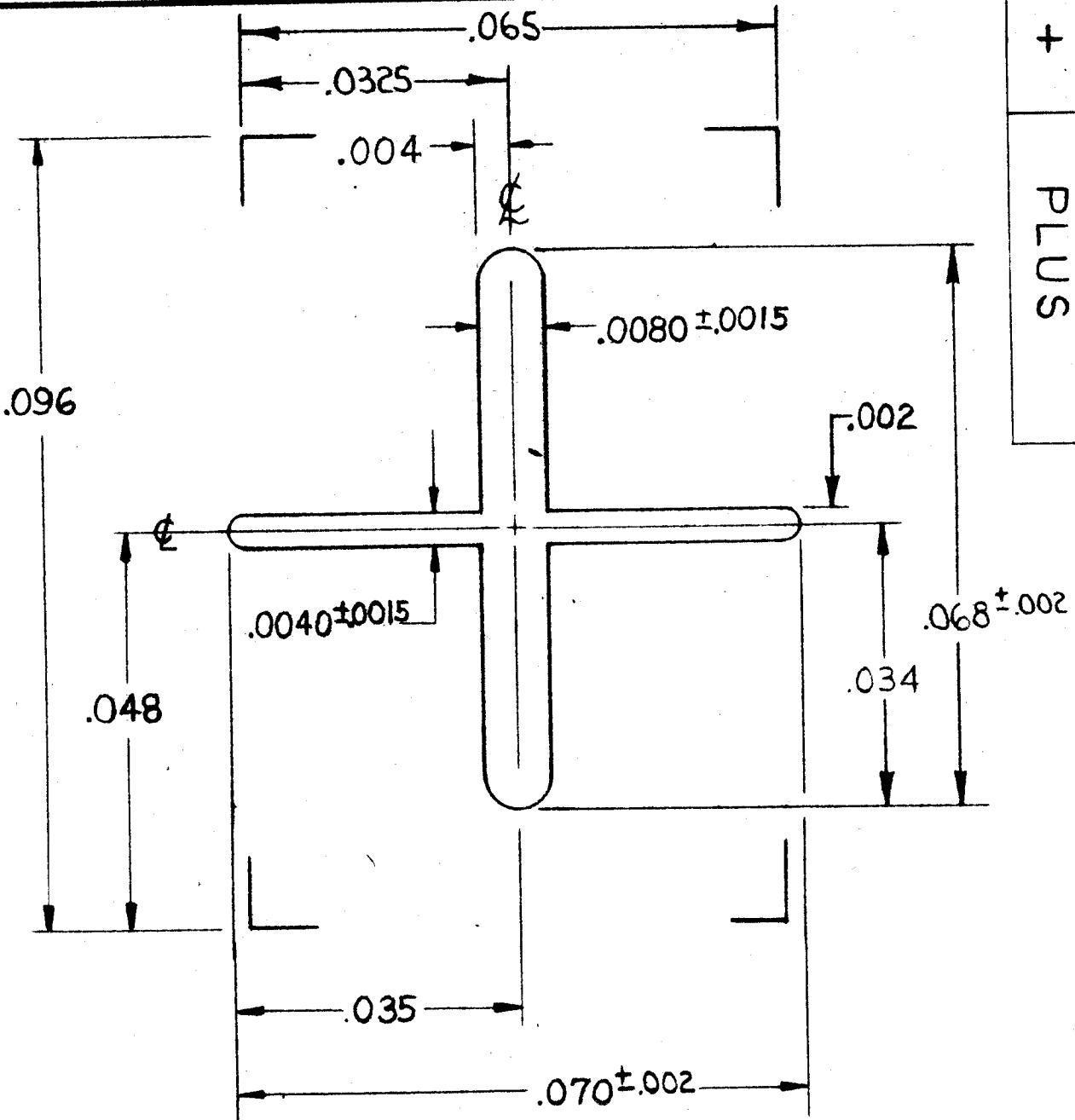
ANalex CORPORATION

ENGRAVED CHARACTER SPECIFICATIONS

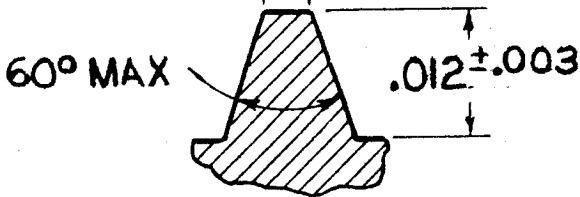
SCALE	DRAWN BY	DATE
50 1	E. Lofko	10-25-66
SYMBOL	APPROVED BY	DATE
/	JJJ	11-1-66
	DESCRIPTION	CAT. NO.
	ACCENT ACUTE	148-14

TOLERANCES UNLESS OTHERWISE SPECIFIED DECIMAL DIMENSIONS ± .001 IN. ANGULAR DIMENSIONS ± 1 DEG

CAT. NO.	163-24
SYMBOL	+
DESCRIPTION	PLUS



AS SHOWN



TYPICAL LAND CROSS SECTION
UNLESS OTHERWISE SPECIFIED

~~FORMERLY ON DRAWING~~

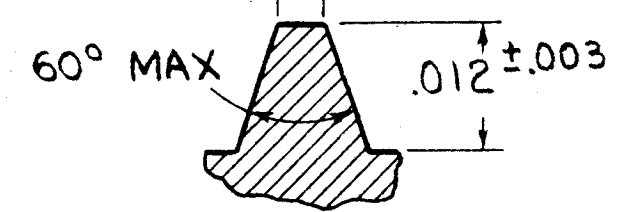
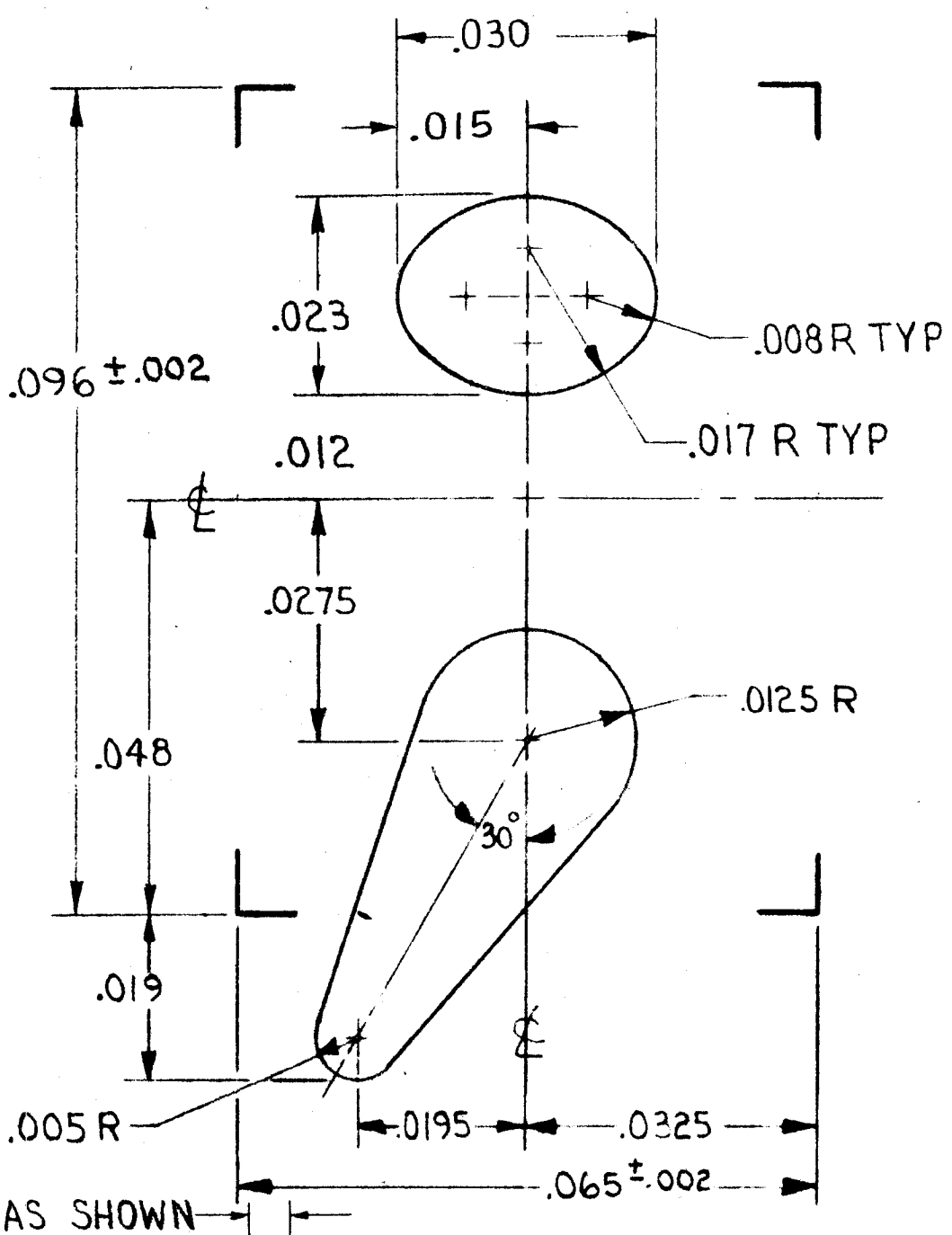
TP147

TOLERANCES
UNLESS OTHERWISE SPECIFIED
DECIMAL DIMENSIONS ± .001 IN.
ANGULAR DIMENSIONS ± 1 DEG.

ANelex CORPORATION		
ENGRAVED CHARACTER SPECIFICATIONS		
SCALE	DRAWN BY	DATE
50	R. Menconi	24 OCT '66
	APPROVED BY	DATE
	CM	
SYMBOL	DESCRIPTION	CAT. NO.
+	PLUS	163-24

EC

CAT. NO.	173-13
SYMBOL	SEMI-COLON
DESCRIPTION	



TYPICAL LAND CROSS SECTION
UNLESS OTHERWISE SPECIFIED

~~FORMERLY ON DRAWING~~

ANelex CORPORATION

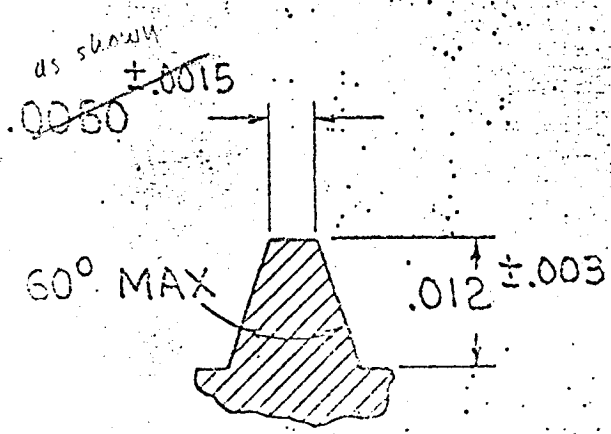
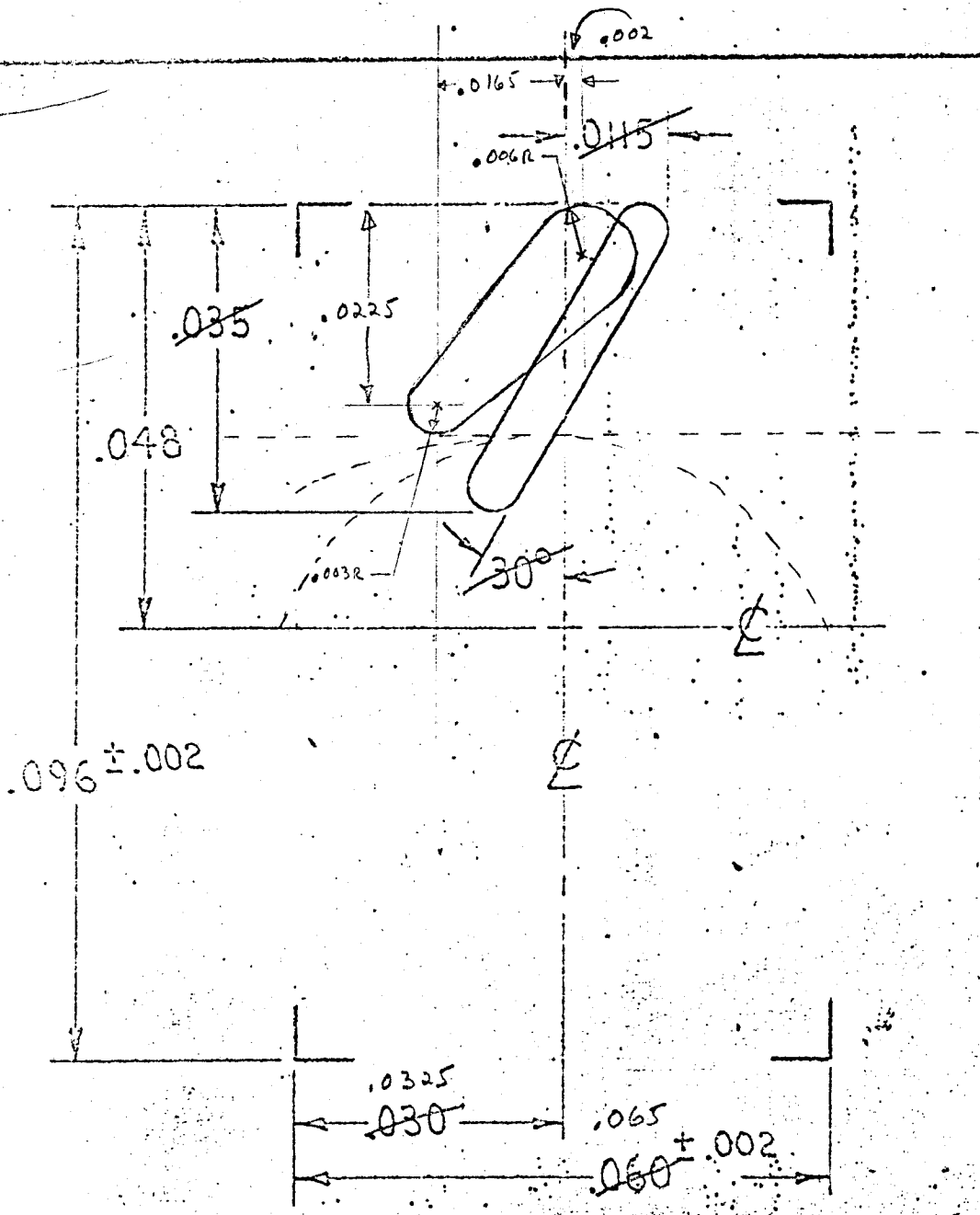
ENGRAVED CHARACTER SPECIFICATIONS

SCALE	DRAWN BY <i>E. Lofko</i>	DATE	10-26-66
$\frac{50}{1}$	APPROVED BY <i>cm</i>	DATE	<i>11-1-66</i>
SYMBOL	DESCRIPTION	CAT. NO.	
;	SEMI-COLON	173-13	

TOLERANCES
UNLESS OTHERWISE SPECIFIED
DECIMAL DIMENSIONS $\pm .001$ IN.
ANGULAR DIMENSIONS ± 1 DEG.

CAT. NO.	148-14
SYMBOL	ACCENT ACUTE
DESCRIPTION	ACCENT ACUTE

J. Saltzer
12/23/66



TYPICAL LAND CROSS SECTION
UNLESS OTHERWISE SPECIFIED

~~FORMERLY ON DRAWING~~

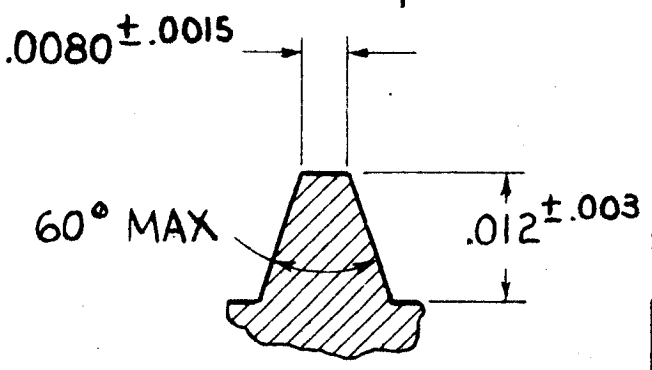
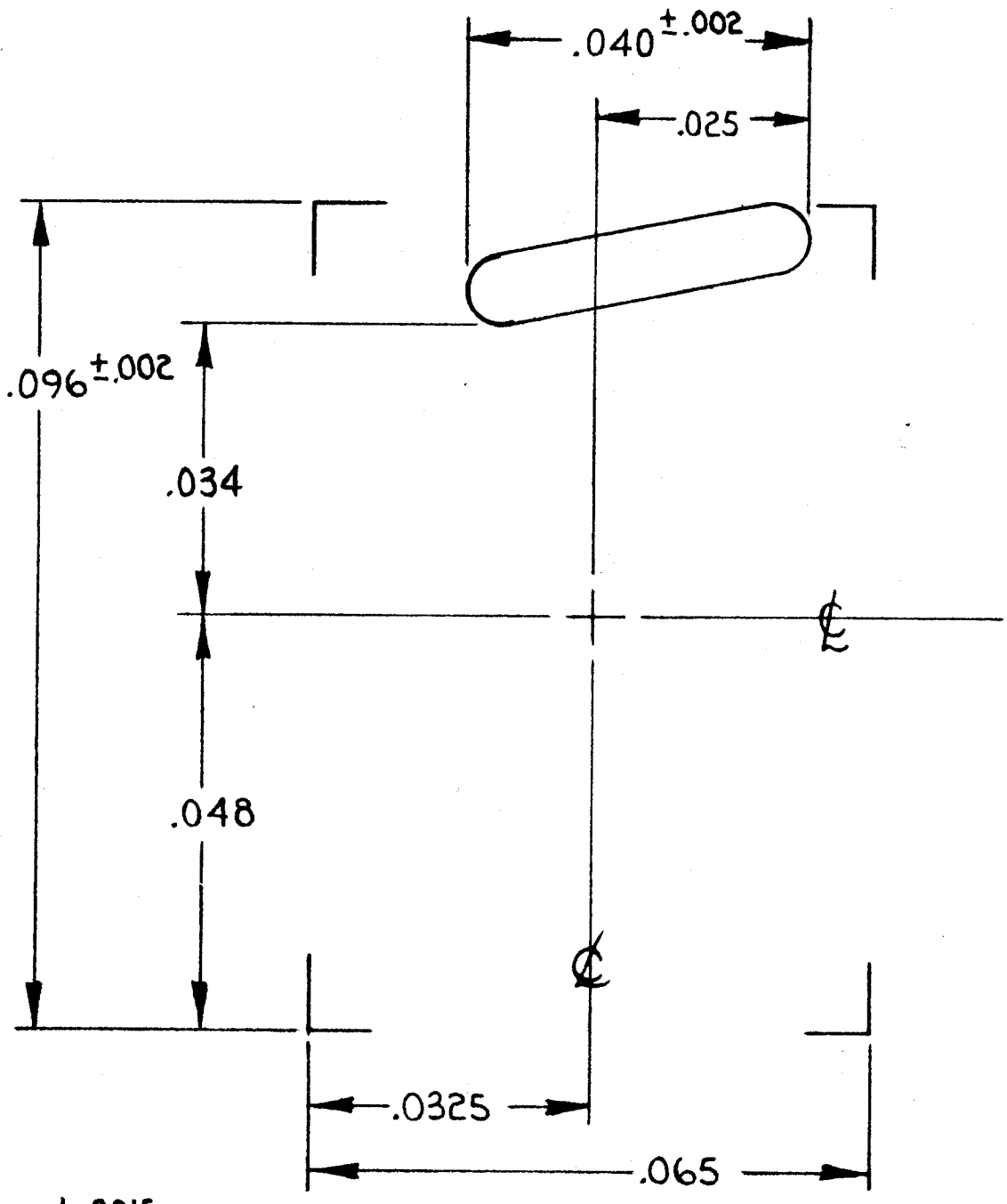
Anelex CORPORATION

ENGRAVED CHARACTER SPECIFICATIONS

SCALE	DRAWN BY	DATE
50 1	E. Lofko	10-25-66
SYMBOL	APPROVED BY	DATE
/	J.S.	11-1-66
	DESCRIPTION	CAT. NO.
	ACCENT ACUTE	148-14

TOLERANCES
UNLESS OTHERWISE SPECIFIED
DECIMAL DIMENSIONS ± .001 IN.
ANGULAR DIMENSIONS ± 1 DEG.

CAT. NO.	148-14
SYMBOL	ACCENT ACUTE
DESCRIPTION	ACCENT ACUTE



TYPICAL LAND CROSS SECTION
UNLESS OTHERWISE SPECIFIED

~~FORMERLY ON DRAWING~~

Anelex CORPORATION		
ENGRAVED CHARACTER SPECIFICATIONS		
SCALE 50 1	DRAWN BY C.A. Murray	DATE 12/15/66
	APPROVED BY am	DATE
SYMBOL /	DESCRIPTION ACCENT ACUTE	CAT. NO. 148-14

EC

TOLERANCES
UNLESS OTHERWISE SPECIFIED
DECIMAL DIMENSIONS ± .001 IN.
ANGULAR DIMENSIONS ± 1 DEG.